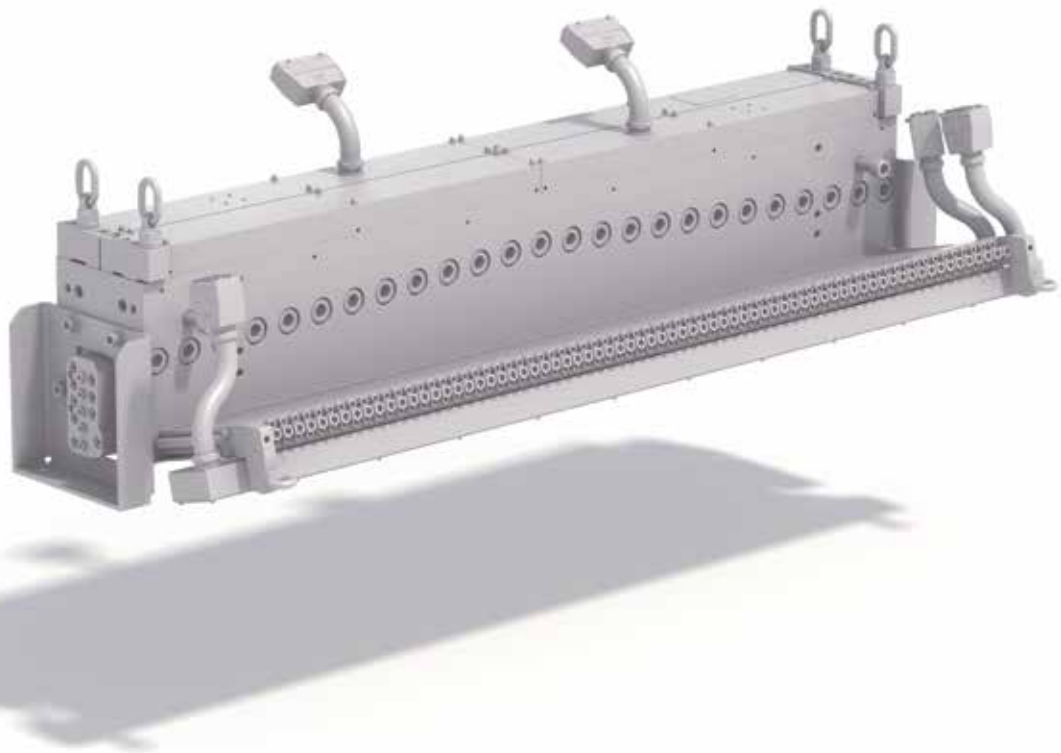




Reifenhäuser

EXTRUSION SYSTEMS

The Extrusioners



Flat die Tapes

Flat dies for the production of tapes. Versatile design due to replaceable lip inserts which are smooth on one side and optional grooved on the other side. Designs with manual or automatic flex lip adjustments available.

Flat die

Portfolio for the production of tapes

Type	Two-part die body Flex lip in upper die body with adjustment range of 1 mm	Die gap range	0.05 – 1.0 mm
Applications	Film tapes, agro-textiles, geo-textiles, baler twine, packaging fabric, tape-bag, carpet backing, jute replacement, etc.	Options	Flex lip adjustment: manual push, automatic push Lip heating Die body insulation
Raw materials	PP, HDPE, LDPE, PLA, etc.	Surface coatings	Chrome, multilayer hard chrome, CrN mod or special polymer coatings
Width range	750 – 2500 mm		